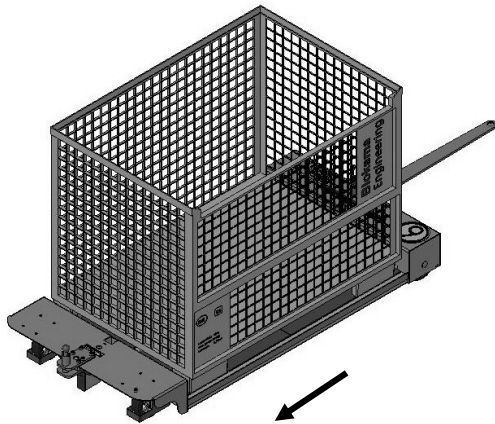


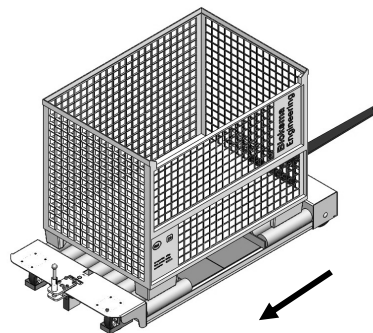
TRANSPORT LOGISTICS MILKRUN

Platform Taxi Carts TRP II



Driving direction

Item no. 13319



Driving direction

Item no. 201855

For fast and safe indoor transport of containers.

The containers are moved onto resp. removed from the taxi cart by means of forklift trucks / electric pallet trucks or other industrial trucks.

Drawbars adapted to your tractor.

Steering system: trailing steering system

Max. load 500 kg

Designed for indoor transport only

Various versions available (housing, colours, etc.)

Item no.	Product to be transported	Remark	Features of wheels	Trolley with
133191	pallet cage or pallet size 1.200 x 800 mm		Ø 200 mm Polyurethan	2 swivel and 2 fixed castors
136995	pallet cage or pallet size 1.200 x 800 mm		Ø 200 mm Polyurethan	2 swivel and 2 fixed castors

201855-0800	pallet cage or pallet size 1.200 x 800 mm	with roller track	Ø 200 mm Polyurethan	2 swivel and 2 fixed castors
201855-1000	pallet cage or pallet size 1.200 x 800 mm	with roller track	Ø 200 mm Polyurethan	2 swivel and 2 fixed castors

Other models / dimensions on request.

TRANSPORT LOGISTICS Milkrun

Platform Taxi Cart BOF VIII 1.200 x 800 mm

for heavy loads
max. 1.000 kg



Item no. 145323-S0012

For indoor transport of a stack of boxes
Designed for pallets / containers up to
1.200 x 800 mm / or other smaller boxes
or containers

Modular system

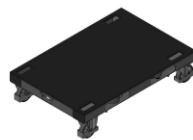
Designed for trucks (lengthwise or
crosswise) with lashing strap

With foot protection and parking brake

Possibility to build milkrun trains



Item no. 145323-S0002



Item no. 145323-S0004



Item no. 145323-S0009



Item no	Model	Push holder	Drawbar	Plate	Lashing strap
145323-S0001	BOF-BOOOO				
145323-S0002	BOF-BSOOO	•			
145323-S0003	BOF-BODOO		•		
145323-S0004	BOF-BOOAO			•	
145323-S0005	BOF-BOOOZ				•
145323-S0006	BOF-BSDOO	•	•		
145323-S0007	BOF-BSOAO	•		•	
145323-S0008	BOF-BSOOZ	•			•
145323-S0009	BOF-BODAO		•	•	
145323-S0010	BOF-BODOZ		•		•
145323-S0011	BOF-BOOAZ			•	•
145323-S0012	BOF-BSDAO	•	•	•	
145323-S0013	BOF-BSDOZ	•	•		•
145323-S0014	BOF-BODAZ		•	•	•
145323-S0015	BOF-BSDAZ	•	•	•	•

TRANSPORTLOGISTICS Milkrun



Item no. 145550-S0012

Platform Taxi Cart BOF IX 1.200 x 1000 mm

for heavy loads
max. 1.000 kg

For indoor transport of a stack of boxes

Designed for pallets / containers up to
1.200 x 800 mm / or other smaller boxes or
containers

Modular system

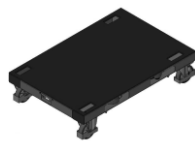
Designed for trucks (lengthwise or
crosswise) with lashing strap

With foot protection and parking brake

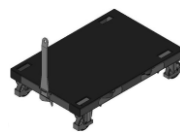
Possibility to build milkrun trains



Item no. 145550-S0002



Item no. 145550-S0004



Item no. 145550-S0009



Item no	Model	Push holder	Drawbar	Plate	Lashing strap
145550-S0001	BOF-BOOOO				
145550-S0002	BOF-BSOOO	•			
145550-S0003	BOF-BODOO		•		
145550-S0004	BOF-BOOAO			•	
145550-S0005	BOF-BOOOZ				•
145550-S0006	BOF-BSDOO	•	•		
145550-S0007	BOF-BSOAO	•		•	
145550-S0008	BOF-BSOOZ	•			•
145550-S0009	BOF-BODAO		•	•	
145550-S0010	BOF-BODOZ		•		•
145550-S0011	BOF-BOOAZ			•	•
145550-S0012	BOF-BSDAO	•	•	•	
145550-S0013	BOF-BSDOZ	•	•		•
145550-S0014	BOF-BODAZ		•	•	•
145550-S0015	BOF-BSDAZ	•	•	•	•